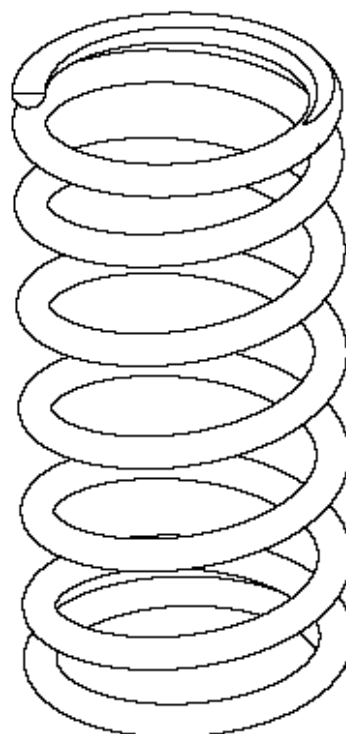
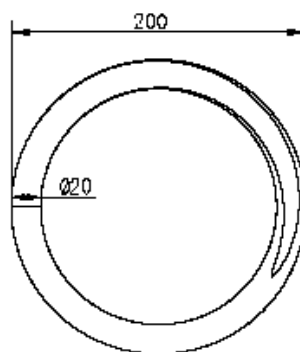
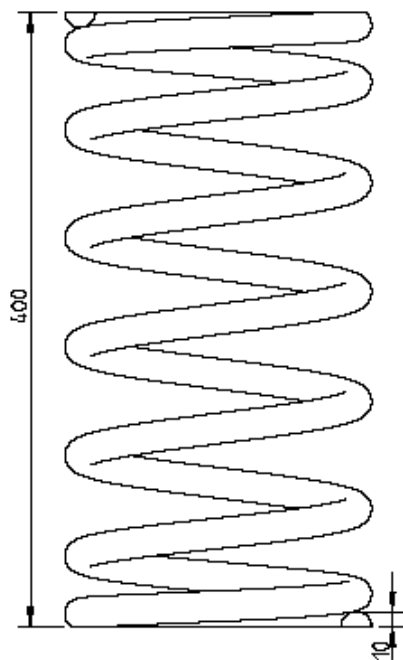




www.mobyitaly.it

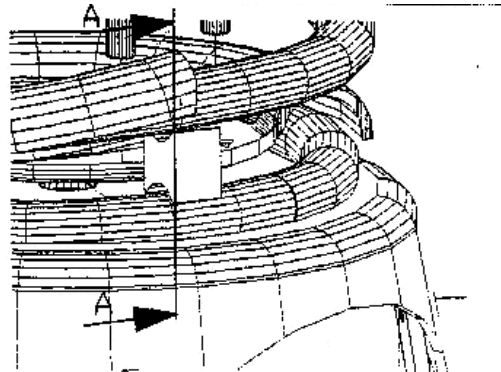
SCHEDA TECNICA MOLLE



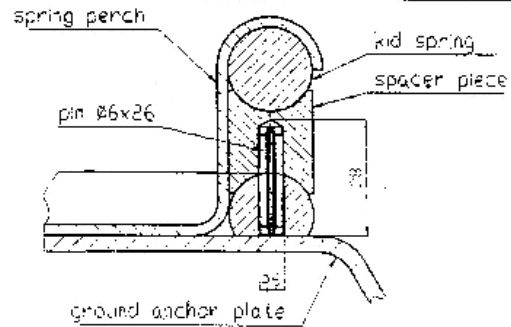


www.mobyitaly.it

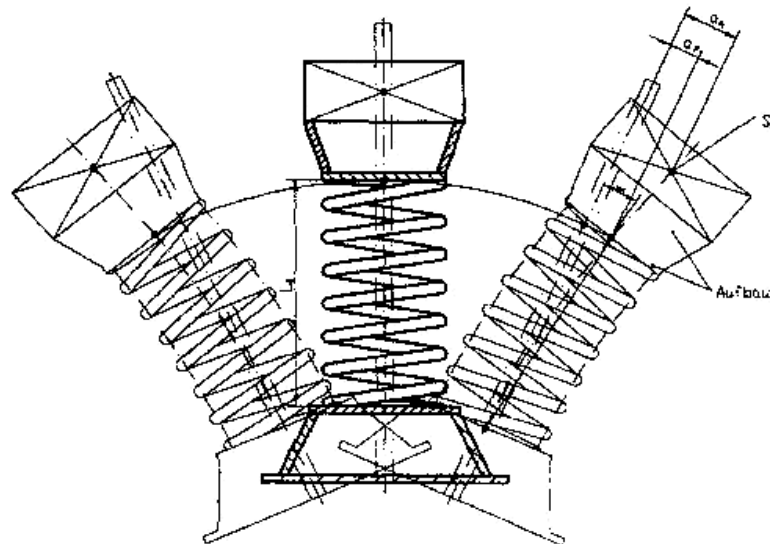
SCHEDA TECNICA MOLLE



sectional view "A-A" Scale 1:1



Spring and spacer drilled (ø 6)
Center position of pocket pole in spacer piece



	0,24	$\tan \alpha = \frac{a_2}{L_1}$
	+15°	$\alpha =$ Schwingwinkel [°]
400x for α →	56	$a_1 =$ Ausschlag Feder [mm]
735x for α →	186	$a_2 =$ Ausschlag Masse/System [mm]
	400	$L_1 =$ Federlänge [mm]
		$S_1 =$ Masse-Schwerpunkt